

Palace rectangular

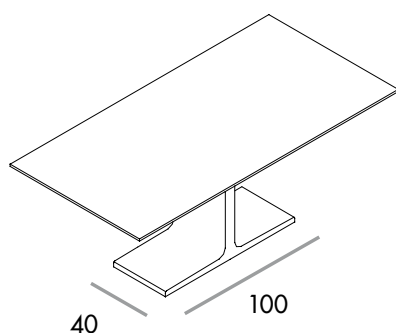
design Lievore Altherr Molina

SOVET
ITALIA

Tavolo con base in inox satinato o metallo laccato, varie finiture. Top in vetro temperato laccato, legno o ceramica, varie finiture.

Dining table with base in mat stainless steel or in lacquered metal, various finishes. Lacquered tempered glass, wood or ceramic top, various finishes.

FORME E DIMENSIONI / SHAPES AND DIMENSIONS



- 170x90x74h
- 250x100x74h
- 200x100x74h
- 240x120x74h

FINITURE STRUTTURA / STRUCTURE FINISHES

Acciaio Inox/Stainless steel



IX

Metallo laccato/Lacquered metal



GB GN GT GC

★ **Top in ceramica laminato: 6 mm ceramica + 8 mm vetro**

Laminated ceramic top: 6 mm ceramic + 8 mm glass

FINITURE TOP / TOP FINISHES

**VETRO EXTR.
EXTR. GLASS**

Lacquered
Cat. B/D

TEB1

TEC1

TEC2

TEC3

TER4

TEV2

TEN1

TEM6

TES1

**ACIDATO
FROSTED**

Lacquered
Cat. E

AEB1

AEC1

AEC2

AEC3

AER4

AEV2

AEN1

AEM6

AES1

**CERAMICA
CERAMIC**

CG/CT/CD/CM



CT



CD



CG



CM

★

CA/CO/CY/CU



CA



CO



CY



CU

★

**LEGNO
WOOD**

RN/RG/WG/NC



RN



RG



WG



NC

Palace barrel shaped-elliptical

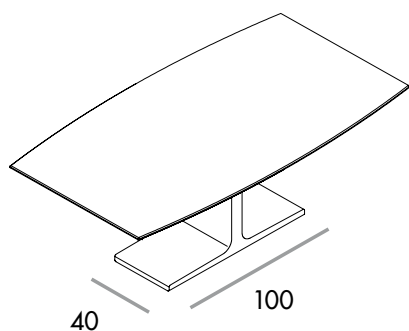
design Lievore Altherr Molina

SOVET
ITALIA

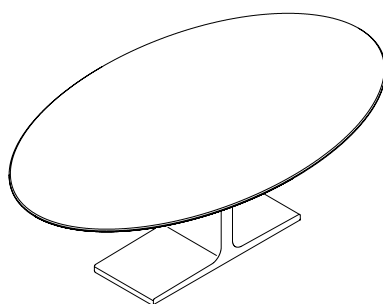
Tavolo con base in inox satinato o metallo laccato, varie finiture.
Top in vetro temperato laccato, legno o ceramica, varie finiture.

Dining table with base in mat stainless steel or in lacquered metal, various finishes.
Lacquered tempered glass, wood or ceramic top, various finishes.

FORME E DIMENSIONI / SHAPES AND DIMENSIONS



200x110x74h



200x110x74h

220x130x74h

FINITURE STRUTTURA / STRUCTURE FINISHES

Acciaio Inox/Stainless steel



IX

Metallo laccato/Lacquered metal



GB

GN

GT

GC

FINITURE TOP / TOP FINISHES

VETRO EXTR.
EXTR. GLASS

Lacquered
Cat. B/D



ACIDATO
FROSTED

Lacquered
Cat. E



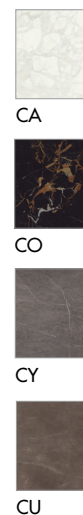
CERAMICA
CERAMIC

CG/CT/CD/CM

CA/CO/CY/CU



*



*

* Top in ceramica laminato: 6 mm ceramica + 8 mm vetro

Laminated ceramic top: 6 mm ceramic + 8 mm glass

Palace extensible

design Lievore Altherr Molina

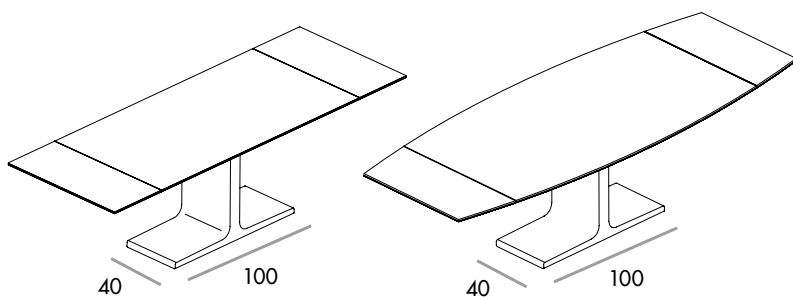
SOVET

ITALIA

Tavolo allungabile con base in inox satinato o metallo laccato, varie finiture. Top allungabile in vetro laccato o acidato laccato. Struttura allungabile con finitura alluminio.

Extensible dining table with mat stainless steel or lacquered metal base, various finishes. Lacquered or frosted lacquered extensible glass top. Extensible structure with aluminium finish.

FORME E DIMENSIONI / SHAPES AND DIMENSIONS



Close 170x90x74h
Open 250x90x74h

Close 200x110x74h
Open 280x110x74h

Close 200x100x74h
Open 280x100x74h

FINITURE STRUTTURA / STRUCTURE FINISHES

Acciaio Inox/Stainless steel



IX

Metallo laccato/Lacquered metal



GB GN GT GC

FINITURE TOP / TOP FINISHES

**VETRO EXTR.
EXTR. GLASS**

Lacquered
Cat. B/D

TEB1
TEC1
TEC2
TEC3
TER4
TEV2
TEN1
TEM6
TES1

**ACIDATO
FROSTED**

Lacquered
Cat. E

AEB1
AEC1
AEC2
AEC3
AER4
AEV2
AEN1
AEM6
AES1